

## AXOR Uno

**Single lever basin mixer for concealed installation wall-mounted with spout 165 mm and escutcheons**

Surfaces: **Chrome** Article Number: **38113000**



### Description

#### product features

- consists of: single lever basin mixer for concealed installation wall-mounted, waste set
- projection 165 mm
- spray type: normal spray
- flow rate at 3 bar: 5 l/min
- joystick ceramic cartridge
- suitable for continuous flow water heaters
- non-closing waste set
- connection type: basic set
- connection dimension: DN15
- handle can be positioned on the right or left, depends on the basic set installation

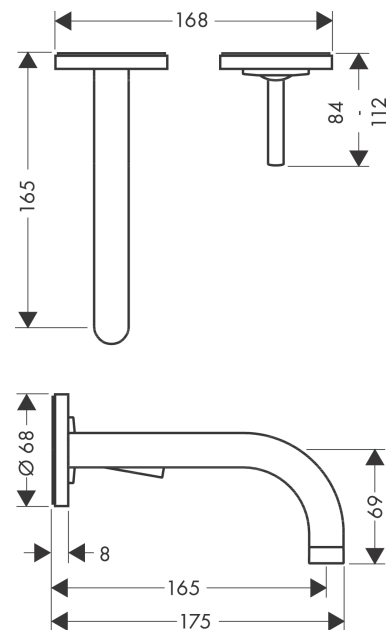
### Technology



### Product image



### Scale drawing



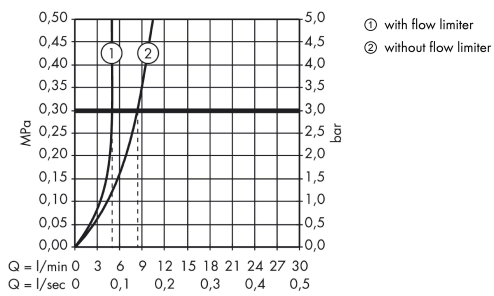
## AXOR Uno

Single lever basin mixer for concealed installation wall-mounted with spout 165 mm and escutcheons

Surfaces: **Chrome** Article Number: **38113000**



### Flowchart



## AXOR Uno

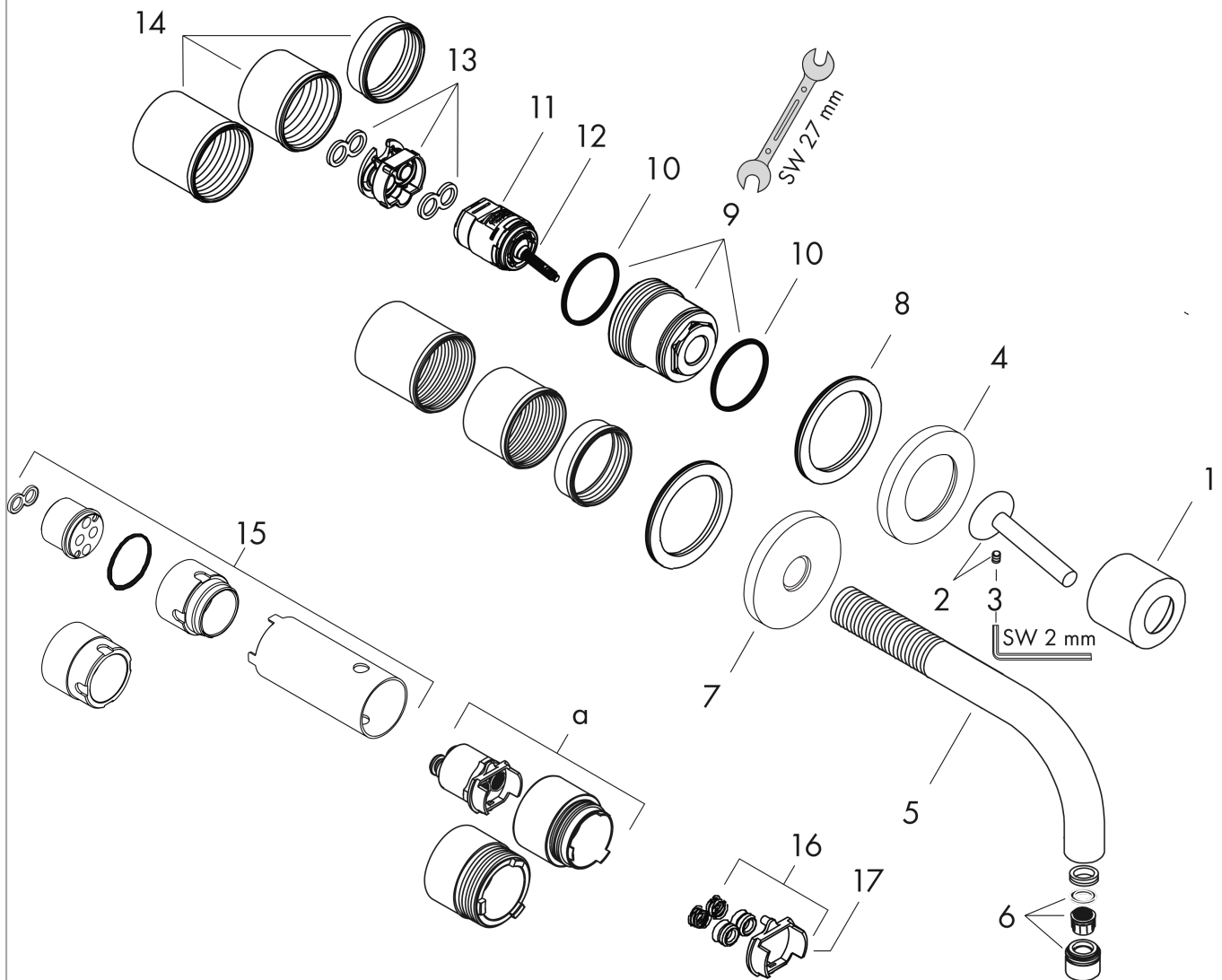
Single lever basin mixer for concealed installation wall-mounted with spout 165 mm and escutcheons

Surfaces: **Chrome** Article Number: **38113000**



### Exploded Drawing

Year of production: >01/10



## AXOR Uno

Single lever basin mixer for concealed installation wall-mounted with spout 165 mm and escutcheons

Surfaces: **Chrome** Article Number: **38113000**



### Spare part list

Year of production: >01/10

Pos.	Description	Article Number	Price	PU
1	flange	96908000	-	1
2	handle	10092000	-	1
3	hollow set screw M4x6	97767000	-	1
4	escutcheon for handle	96909000	-	1
5	spout 160 mm	97369000	-	1
6	aerator M18x1 (5 l/min)	95387000	-	1
7	escutcheon for spout	96910000	-	1
8	washer	97600000	-	1
9	nut	95645000	-	1
10	O-ring 34x2	98383000	-	1
11	cartridge, assy	96783000	-	1
12	O-ring 21,95x1,78	95169000	-	1
13	adapter for cartridge	95644000	-	1
14	fixing set	97971000	-	1
15	extension set 25 mm for 13622180	31971000	-	1
16	conversion kit	95643000	-	1
17	adapter for cartridge	97280000	-	1
a	extension set for 38111180	38982000	-	1
b	concealed item	38111180	-	1
c	waste	50001000	-	1
d	base body	13622180	-	1
e	service tool for disassembling the handle	92124000	-	1
f	adapter for exchanged connections	93561000	-	1